

GPS / DGPS / Navigator

KGP-915



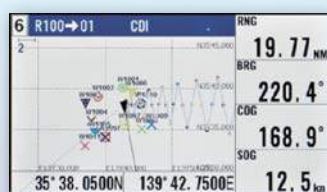
Features

- ▶ Bright 4.3-inch high-resolution Color LCD
- ▶ Quick Entry numeric keypad
- ▶ Waypoint memory 10,000 points
- ▶ Route memory 100 x 50 points
- ▶ Ship's trail point 3,000
- ▶ Total 6 display modes available
- ▶ Equipped with two NMEA-0183 data ports

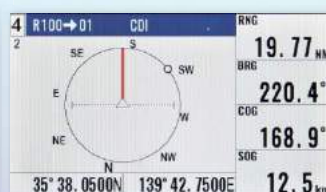
< Screen Image >



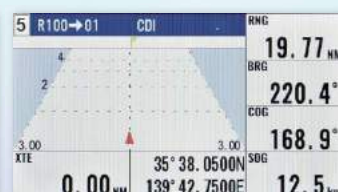
Nav data



Plotter



Navigation Graph



Highway

SPECIFICATIONS

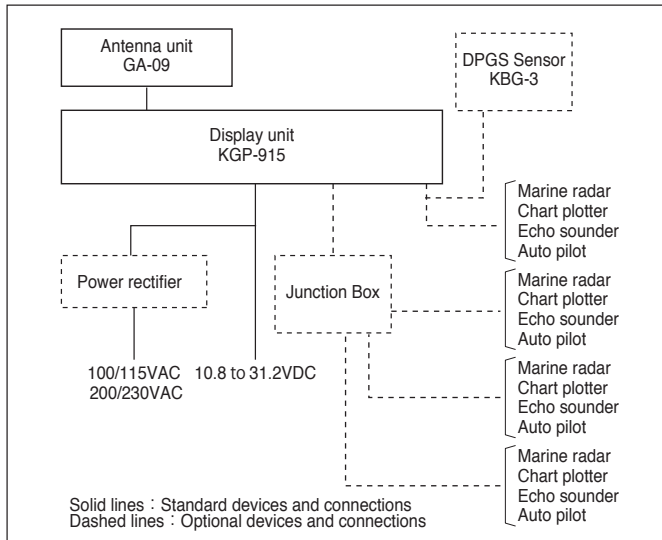
Model	KGP-915
Receiving frequency	1575.42 MHz±1MHz, 1602MHz±4MHz
Receiving channel	72 channel parallel
Receiving code	C/A code
Sensitivity	Better than -148 dBm
Accuracy	Position 4.2 m 2drms(GNSS), 3.3 m 2drms(DGNSS)
HDOP≤4	SOG 0.1 kt rms COG ± 1.0°
Display size and type	4.3 inch color LCD (480×272, effective picture area: 95.04 x 53.86 mm)
Display mode	Nav data1, Nav data2, Nav data3, Navigation Graph, Highway, Plotter, POB (People Over Board)
Track display	Display range 0.025, 0.05, 0.1, 0.2, 0.5, 1, 2, 5, 10, 20 nm (sm, km)
	Usable ground Within 80° in latitude
	Plotting interval 5, 10, 20, 30 seconds, 1 minutes, 0.01, 0.05, 0.1, 0.5, 1 nm (sm, km)
	Plotting capacity 3,000 points
Position data display	Latitude/longitude in increments of 0.0001 minute, Converted Loran C LOPs, Converted Loran A LOPs, Converted Decca LOPs,
Navigational display	Speed, Course, Distance / Bearing to waypoint, Cross track error, Time to go to waypoint, Total time to go and distance on route, DOP value, Present time (UTC or LTC), Satellite status, Beacon receiving status, Distance/Bearing between two points, POB display
Instant (event) memory	1,000 points
Waypoint memory	10,000 points (9,000 + Event 1,000)
Route memory	100 routes reverse trail possible
Alarms	Proximity, Cross track error, CDI, Anchor watch
Position compensation	Latitude / longitude, LOPs, Datum
Magnetic compensation	Auto or Manual
Parameters	Loran C LOPs conversion, Loran A LOPs conversion, Decca LOPs conversion, Memory of waypoints and name (up to 10 letters), Selection of measuring unit (nm, sm, km), Averaging (smooth) factor, Position mode (2D or 3D automatic selection), Beacon stations selection
Output data format and sentences (DATA1/2 connector)	NMEA 0183 Ver.2.0 / 3.0 / 4.1 CIF (AAM, APB, BOD, BWC, DCN, DTM, GGA, GLC, GLL, GSA, GSV, MSS, RMB, RMC, RTE, VTG, WPL, XTE, ZDA)
Input data format	RTCM SC104 Ver.2.0 (DGNSS), NMEA 0183 (GNSS source: External)
Power supply	10.8 to 31.2 V DC
Power consumption	4.5 W or less (24V DC)

Note: Accuracy is subject to change in accordance with DoD civil GNSS user policy.

Environmental

Operating temperature	Display unit: -15 °C to +55 °C Antenna unit: -25 °C to +55 °C
Water protection	Display unit: IPX4 Antenna unit: IPX6

CONNECTIONS



EQUIPMENT LIST

Standard Equipment

Display unit	KGP-915	With mounting bracket and hard cover
Antenna unit	GA-09[10M]	with 10m antenna cable and BNC connector
	GA-09[15M]	with 15m antenna cable and BNC connector
	GA-09[0.5M]	with 0.5m antenna cable for cable extension 30m / 60m and N-P connector
DC power cable	CW-276-2M	With 5-pin connector and one end plain (2m)

Operation Manual, Installation material

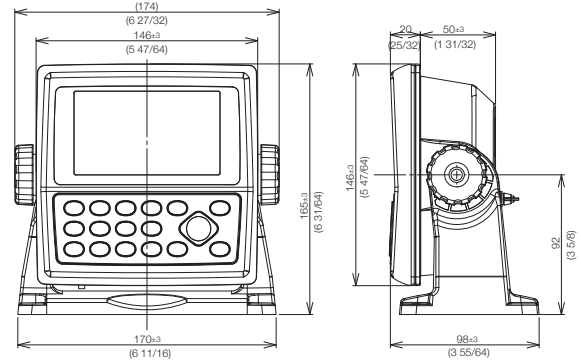
Options

DGPS sensor, Connecting cable, Junction box, Power rectifier, AC power cable, Connector, Antenna cable extension kit, Conversion cable

DIMENSIONS AND WEIGHT

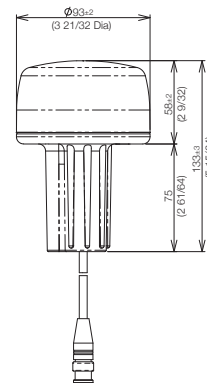
Display Unit KGP-915

Unit: mm (inch)



Weight : 0.93kg (2.1lb)

Antenna unit GA-09



Weight : 0.23kg (0.51lb)

• Design and specifications are subject to change without notice.

KODEN Kodon Electronics Co., Ltd.

Tamagawa Office:
2-13-24 Tamagawa, Ota-ku, Tokyo, 146-0095 Japan
Tel: +81-3-3756-6501 Fax: +81-3-3756-6509
Uenohara Office:
5278 Uenohara, Uenohara-shi, Yamanashi, 409-0112 Japan
Tel: +81-554-20-5860 Fax: +81-554-20-5875

overseas@koden-electronics.co.jp

www.koden-electronics.co.jp



**Safety
precaution**

To ensure proper and safe use of the equipment, please carefully read and follow the instructions in the Operation Manual.

For details, please contact: